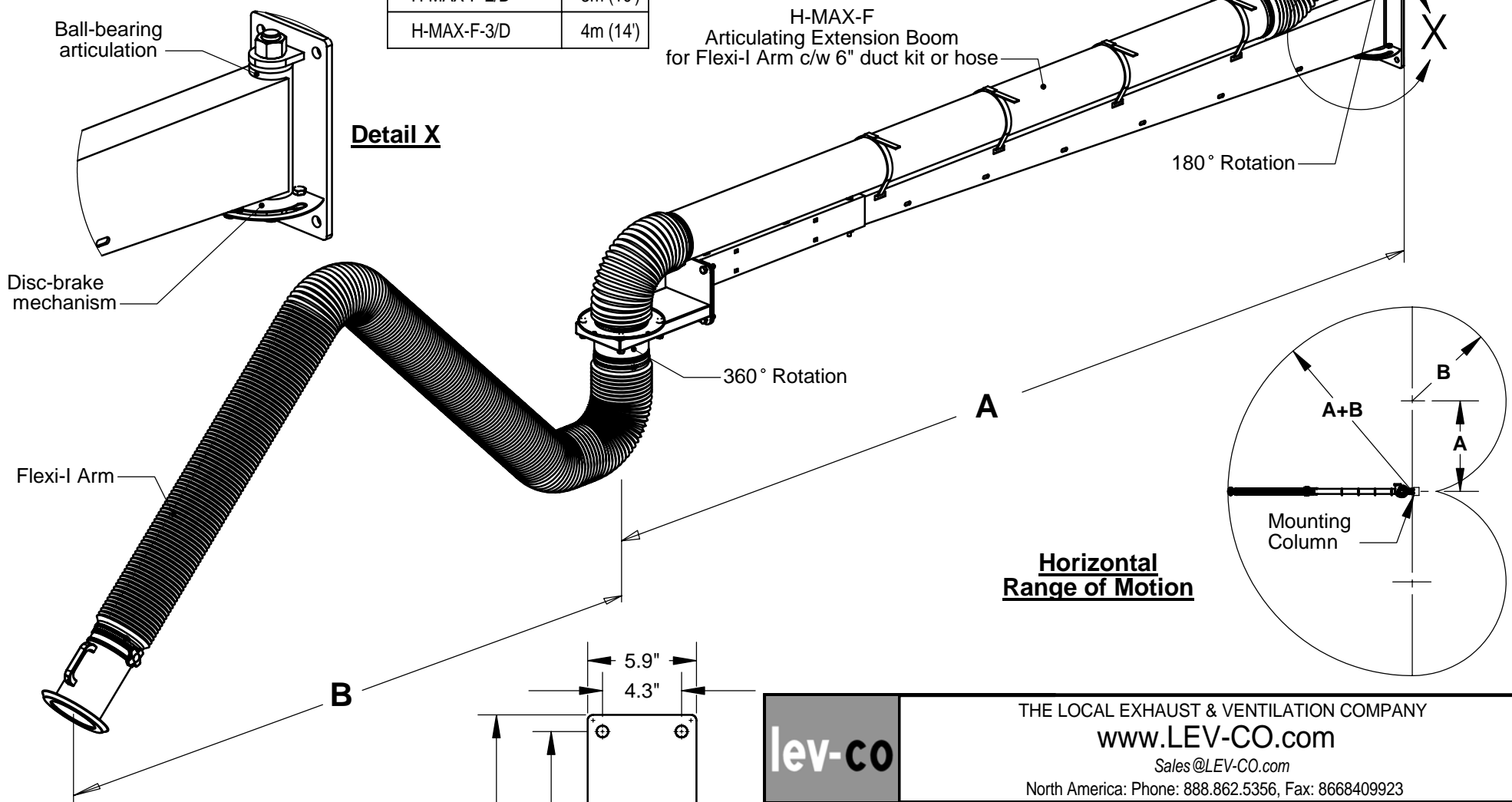


CUSTOMER:
CUSTOMER PO:
PROJECT:
PROJECT NAME:
TAG:

H-MAX	A
H-MAX-F-1	2m (7')
H-MAX-F-2	3m (10')
H-MAX-F-3	4m (14')
H-MAX-F-1/D	2m (7')
H-MAX-F-2/D	3m (10')
H-MAX-F-3/D	4m (14')

Flexi-I Extractor Arm	B
P-007	2m (7')
P-008	3m (10')
P-009	4m (14')
P-010	5m (17')

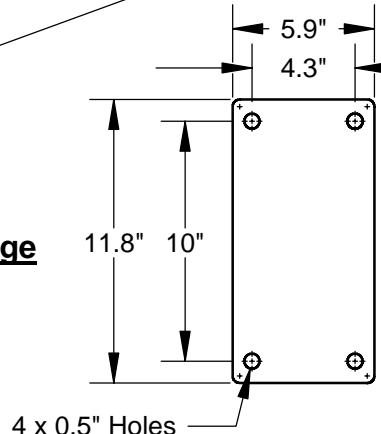
H-MAX-F
Articulating Extension Boom
for Flexi-I Arm c/w 6" duct kit or hose



Detail X

Horizontal Range of Motion

Wall Mounting Flange



lev-co	THE LOCAL EXHAUST & VENTILATION COMPANY	
	www.LEV-CO.com	
	Sales@LEV-CO.com	
	North America: Phone: 888.862.5356, Fax: 8668409923	
The device depicted and described hereon embodies proprietary information owned by the manufacturer. All design, manufacturing, reproduction, sales and patent rights regarding this device or drawing reserved except where explicit right is guaranteed in writing. We reserve the right to make design changes.	Drawn by:	Title:
	Adrian Pop	Flexi-I Extractor Arm w/ H-MAX Articulating Extension Boom
	Date: 10/08/2005	Specification Drawing
	Scale: NTS	
Weight: 00.0	Drawing No.: S-20318-00	File Name:
	Material: .	Sheet: 1/1