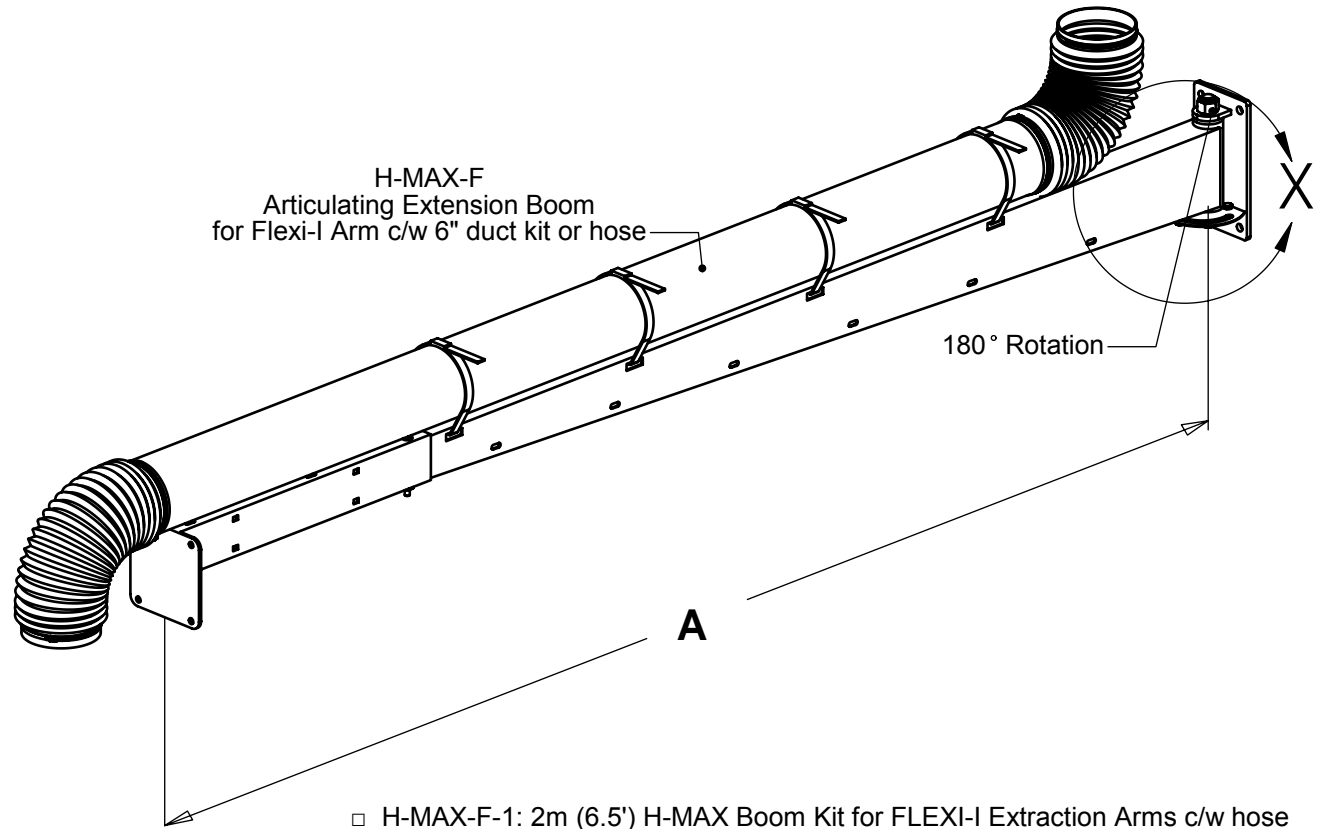
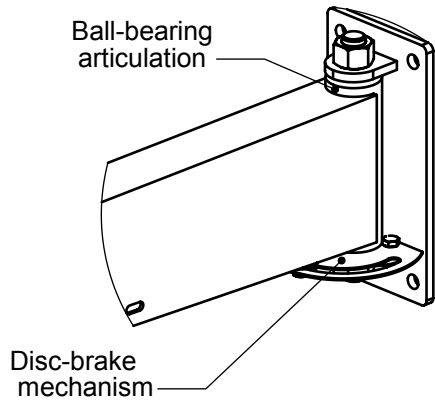


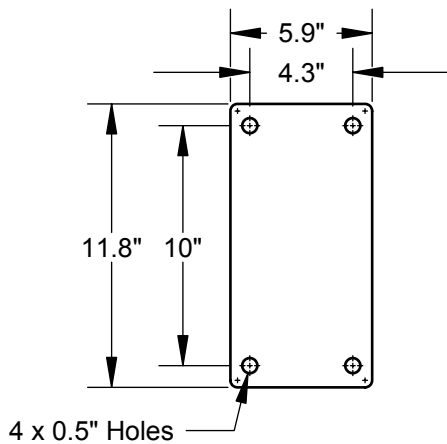
|               |
|---------------|
| CUSTOMER:     |
| CUSTOMER PO:  |
| PROJECT:      |
| PROJECT NAME: |
| TAG:          |

**Detail X**



- H-MAX-F-1: 2m (6.5') H-MAX Boom Kit for FLEXI-I Extraction Arms c/w hose
- H-MAX-F-2: 3m (10') H-MAX Boom Kit for FLEXI-I Extraction Arms c/w hose
- H-MAX-F-3: 4m (13') H-MAX Boom Kit for FLEXI-I Extraction Arms c/w hose
- H-MAX-F-1/D: 2m (6.5') H-MAX Boom Kit for FLEXI-I Extraction Arms c/w duct kit
- H-MAX-F-2/D: 3m (10') H-MAX Boom Kit for FLEXI-I Extraction Arms c/w duct kit
- H-MAX-F-3/D: 4m (13') H-MAX Boom Kit for FLEXI-I Extraction Arms c/w duct kit

**Wall Mounting Flange**



| H-MAX       | A        |
|-------------|----------|
| H-MAX-F-1   | 2m (7')  |
| H-MAX-F-2   | 3m (10') |
| H-MAX-F-3   | 4m (13') |
| H-MAX-F-1/D | 2m (7')  |
| H-MAX-F-2/D | 3m (10') |
| H-MAX-F-3/D | 4m (13') |

|  |  |  |
|--|--|--|
| <b>lev-co</b>  | THE LOCAL EXHAUST & VENTILATION COMPANY            |  |
|  | <a href="http://www.LEV-CO.com">www.LEV-CO.com</a> |  |
|  |  | Sales@LEV-CO.com   |
|  |  | North America: Phone: 888.862.5356, Fax: 8668409923  |
| The device depicted and described hereon embodies proprietary information owned by the manufacturer. All design, manufacturing, reproduction, sales and patent rights regarding this device or drawing reserved except where explicit right is guaranteed in writing. We reserve the right to make design changes. | Drawn by:<br>Adrian Pop                            | Title:   |
|  | Date: 11/04/2006                                   | <b>H-MAX-F<br/>Articulating Extension Boom<br/>for Flexi-I Arm c/w 6" duct kit or hose<br/>Specification Drawing</b> |
|  | Scale: NTS   |  |
|  | Weight: 00.0                                       | Drawing No.: S-34765-00  |
|  |  | Material: -  |
|  |  | Sheet 1/1  |