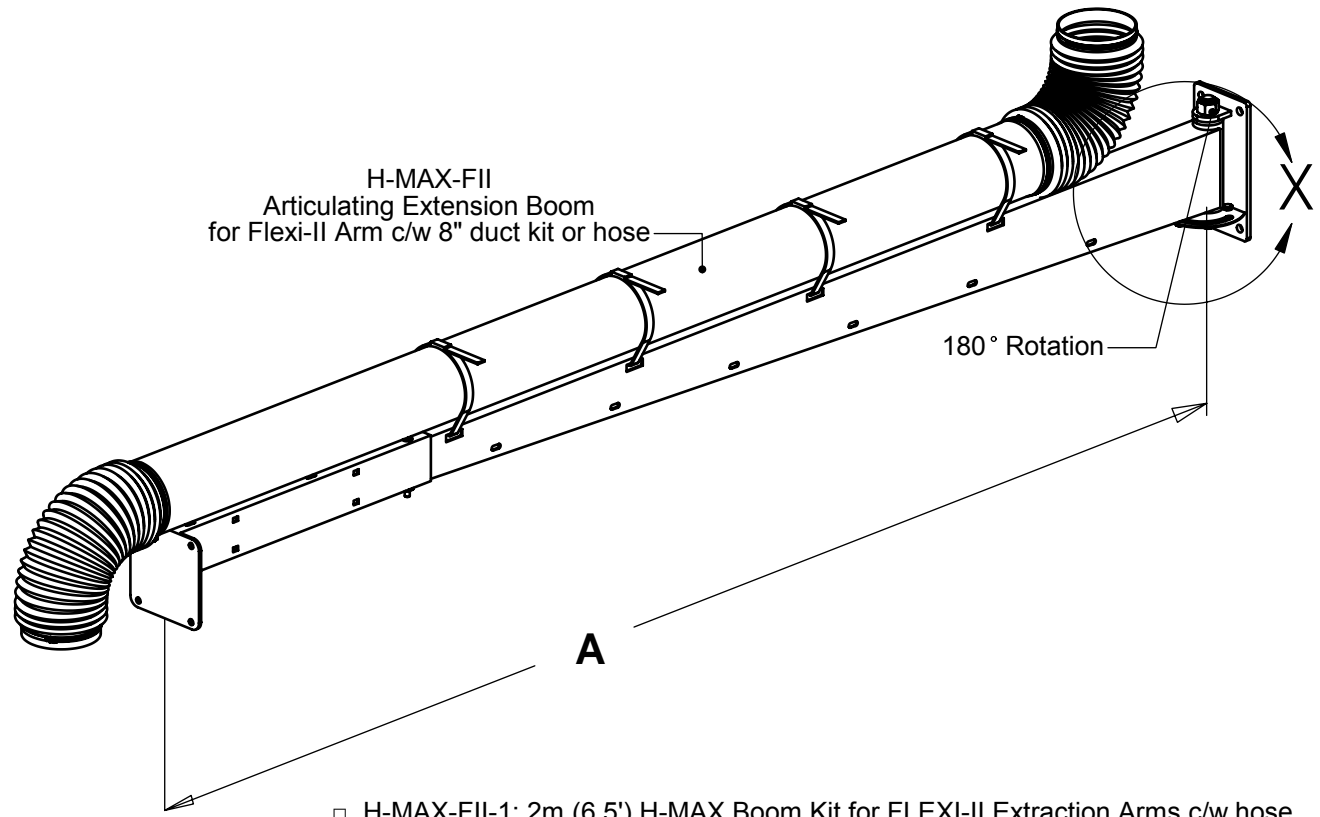
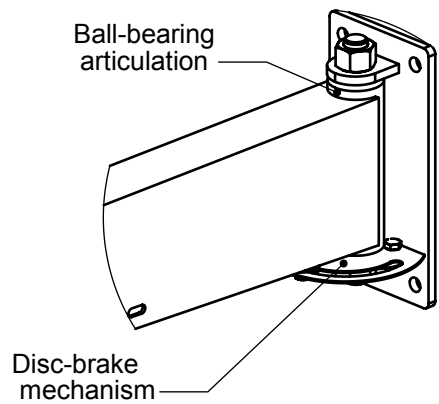


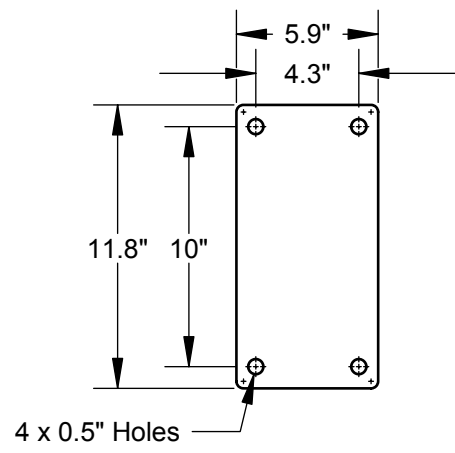
CUSTOMER:
CUSTOMER PO:
PROJECT:
PROJECT NAME:
TAG:



Detail X



Wall Mounting Flange



H-MAX	A
H-MAX-FII-1	2m (7')
H-MAX-FII-2	3m (10')
H-MAX-FII-3	4m (13')
H-MAX-FII-1/D	2m (7')
H-MAX-FII-2/D	3m (10')
H-MAX-FII-3/D	4m (13')

- H-MAX-FII-1: 2m (6.5') H-MAX Boom Kit for FLEXI-II Extraction Arms c/w hose
- H-MAX-FII-2: 3m (10') H-MAX Boom Kit for FLEXI-II Extraction Arms c/w hose
- H-MAX-FII-3: 4m (13') H-MAX Boom Kit for FLEXI-II Extraction Arms c/w hose
- H-MAX-FII-1/D: 2m (6.5') H-MAX Boom Kit for FLEXI-II Extraction Arms c/w duct kit
- H-MAX-FII-2/D: 3m (10') H-MAX Boom Kit for FLEXI-II Extraction Arms c/w duct kit
- H-MAX-FII-3/D: 4m (13') H-MAX Boom Kit for FLEXI-II Extraction Arms c/w duct kit

lev-co	THE LOCAL EXHAUST & VENTILATION COMPANY	
	www.LEV-CO.com	
Sales@LEV-CO.com		
North America: Phone: 888.862.5356, Fax: 8668409923		
The device depicted and described hereon embodies proprietary information owned by the manufacturer. All design, manufacturing, reproduction, sales and patent rights regarding this device or drawing reserved except where explicit right is guaranteed in writing. We reserve the right to make design changes.	Drawn by: Adrian Pop	Title:
	Date: 11/04/2006	H-MAX-FII Articulating Extension Boom for Flexi-II Arm c/w 8" duct kit or hose Specification Drawing
	Scale: NTS	
	Weight: 00.0	Drawing No.: S-32753-00
	Material: -	Sheet 1/1