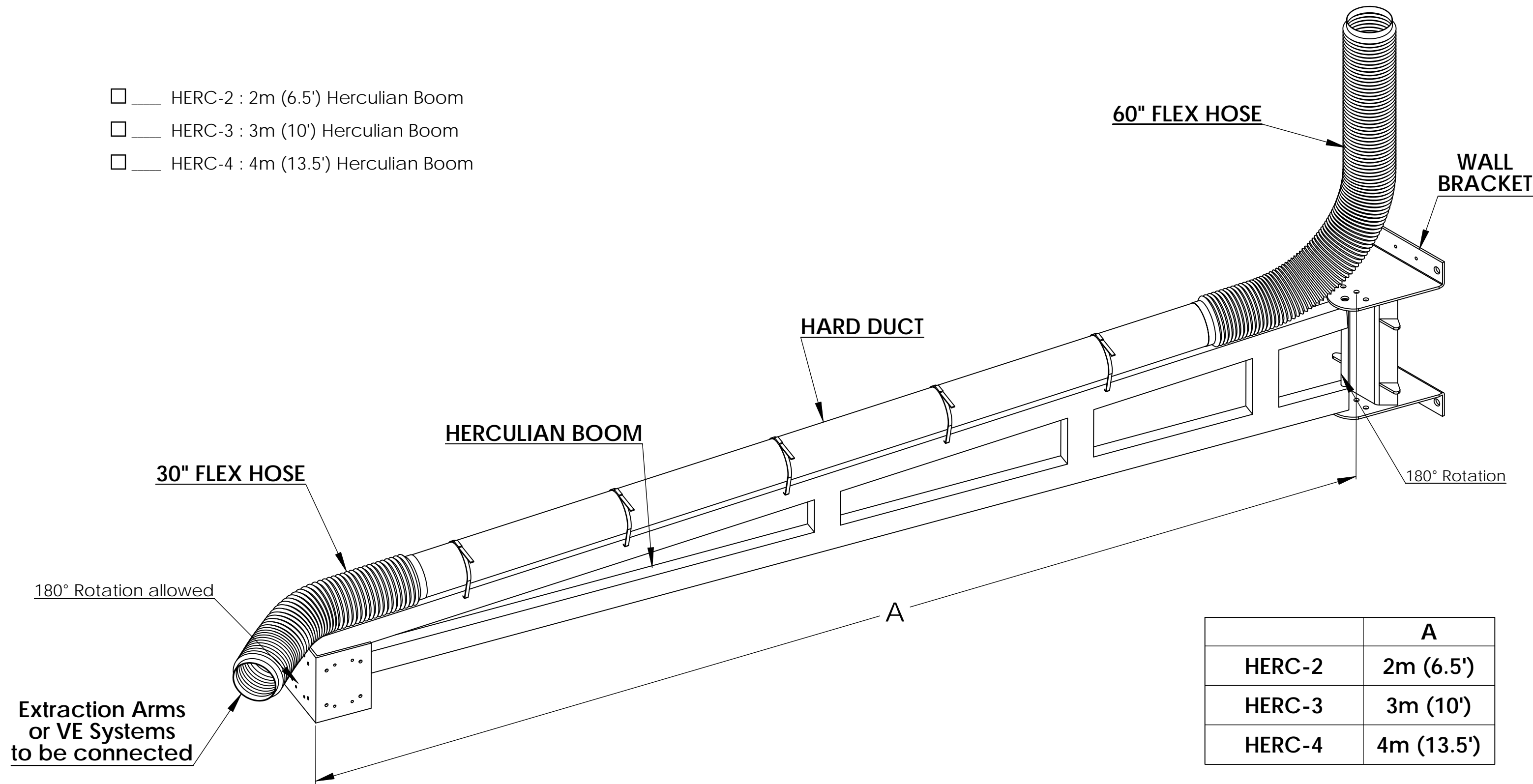


- \_\_\_ HERC-2 : 2m (6.5') Herculian Boom
- \_\_\_ HERC-3 : 3m (10') Herculian Boom
- \_\_\_ HERC-4 : 4m (13.5') Herculian Boom



	A
HERC-2	2m (6.5')
HERC-3	3m (10')
HERC-4	4m (13.5')

CUSTOMER:  
 CUSTOMER P.O.:  
 PROJECT:  
 ENGINEER:  
 SALES REP.:  
 IDENTIFICATION / TAGGING:

[www.lev-co.com](http://www.lev-co.com) • 1.888.862.5356



The device depicted and described hereon embodies proprietary information owned by the manufacturer. All design, manufacturing, reproduction, sales and patent rights regarding this device or drawing reserved except where explicit right is guaranteed in writing. We reserve the right to make design changes.

Drawn by: Janos B  
 Date: 3/13/2008  
 Scale: NTS  
 Weight: N/A

**HERCULIAN BOOM**  
**HERC-2; HERC-3; HERC-4**  
 Specification Drawing

Drawing No.: -      File Name: Herculian - SD  
 Material: -      Sheet: 1/1