

NOTES:

- UP TO 44 FT OVERALL LENGTH
- HIGH TEMP PYRO-FLEX HOSE ON ARM
- LOWER TEMP HOSE ON THE TOP OF THE BOOM SECTIONS

CUSTOMER:
CUSTOMER P.O.:
PROJECT:
ENGINEER:
SALES REP.:
IDENTIFICATION / TAGGING:

www.lev-co.com • 1.888.862.5356



The device depicted and described hereon embodies proprietary information owned by the manufacturer. All design, manufacturing, reproduction, sales and patent rights regarding this device or drawing reserved except where explicit right is guaranteed in writing. We reserve the right to make design changes.

Drawn by:	Janos B
Date:	2/14/2014
Scale:	NTS
Weight:	N/A

(14-01) FLEXI-Vehicle Exhaust Extraction Arms Specification Drawing		
		Drawing No.: -
Material: -		Sheet: 1/3

MAX. COVERAGE

HERCULIAN BOOM
+
H-MAX BOOM
+
FLEXI ARM
COVERAGE

HERCULIAN BOOM
+
H-MAX BOOM
COVERAGE

HERCULIAN BOOM
COVERAGE

R 44FT

R 27.5FT

R 14FT

WALL

CUSTOMER:
CUSTOMER P.O.:
PROJECT:
ENGINEER:
SALES REP.:
IDENTIFICATION / TAGGING:

> www.lev-co.com • 1.888.862.5356

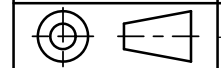
lev-co

The device depicted and described hereon embodies proprietary information owned by the manufacturer. All design, manufacturing, reproduction, sales and patent rights regarding this device or drawing reserved except where explicit right is guaranteed in writing. We reserve the right to make design changes.

Drawn by:	Janos B
Date:	2/14/2014
Scale:	NTS
Weight:	N/A

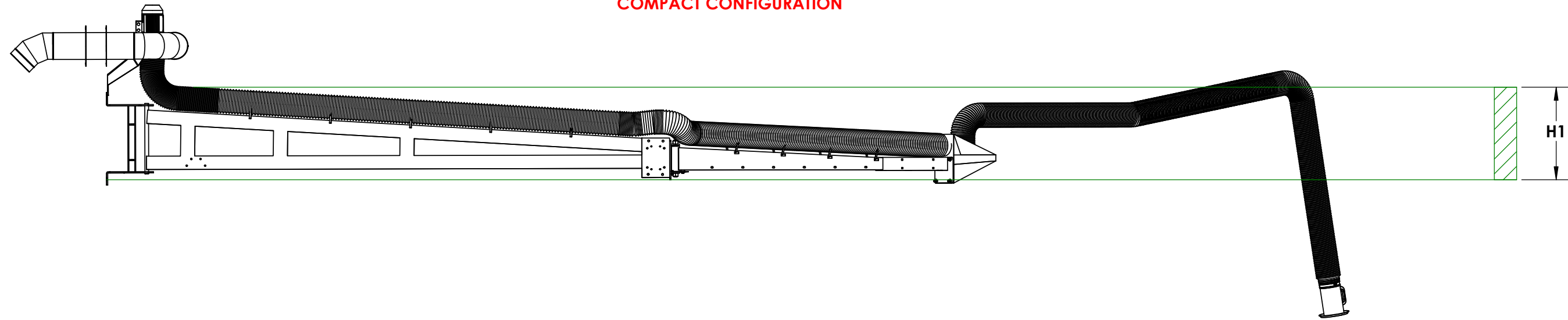
**(14-01) FLEXI-Vehicle Exhaust
Extraction Arms**

Specification Drawing

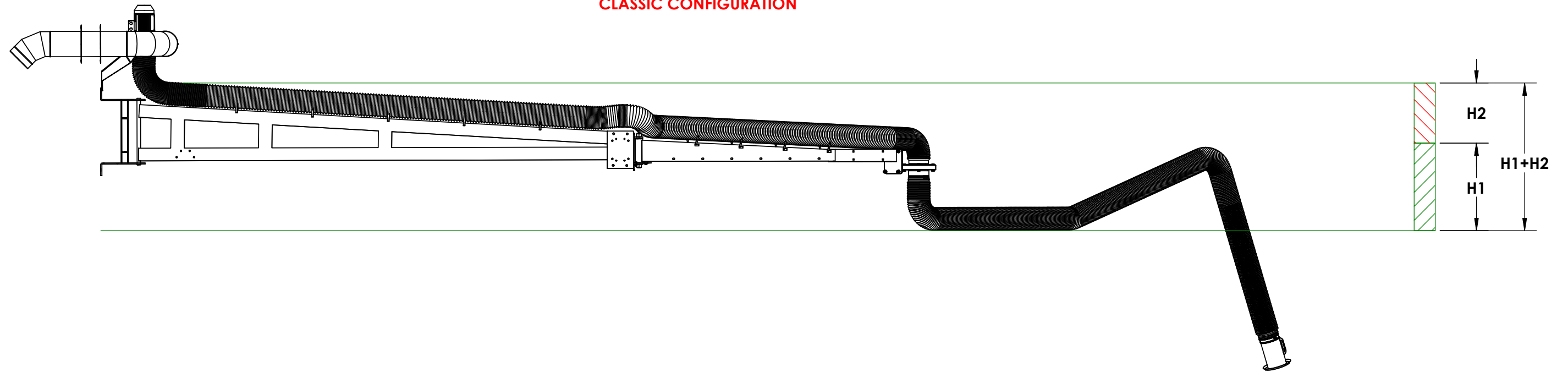


Drawing No.:	-	File Name:	(14-01)_Flexi_Vehicle_Exhaust_Ext
Material:	-	Sheet:	2/3

COMPACT CONFIGURATION



CLASSIC CONFIGURATION



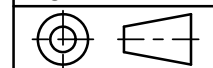
CUSTOMER:	
CUSTOMER P.O.:	
PROJECT:	
ENGINEER:	
SALES REP.:	
IDENTIFICATION / TAGGING:	

www.lev-co.com • 1.888.862.5356



The device depicted and described hereon embodies proprietary information owned by the manufacturer. All design, manufacturing, reproduction, sales and patent rights regarding this device or drawing reserved except where explicit right is guaranteed in writing. We reserve the right to make design changes.

Drawn by:	Janos B.
Date:	2/14/2014
Scale:	NTS
Weight:	N/A



(14-01) FLEXI-Vehicle Exhaust Extraction Arms	
Specification Drawing	
Drawing No.: -	File Name: (14-01)_Flexi_Vehicle_Exhaust_Ext
Material: -	Sheet: 3/3