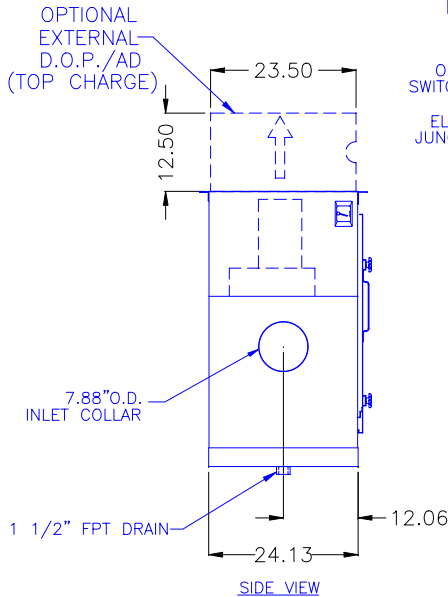
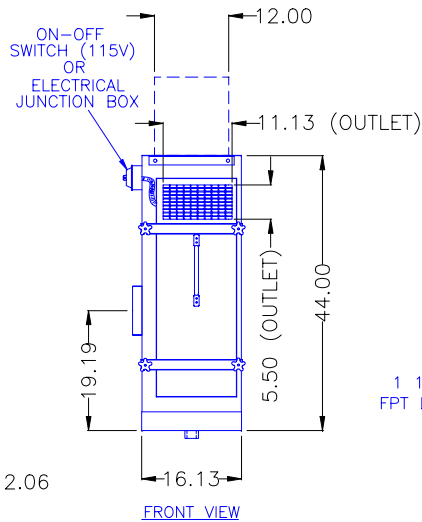


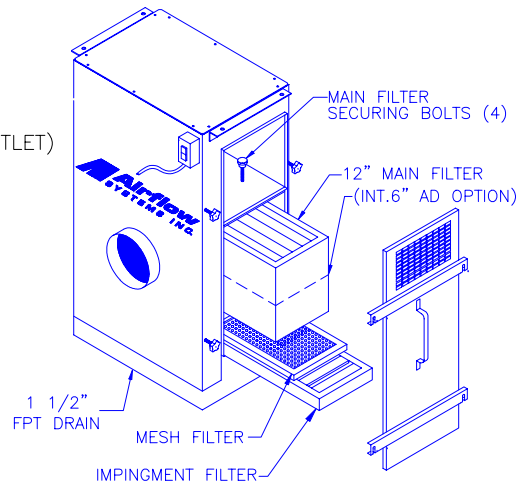
TOP VIEW



SIDE VIEW



FRONT VIEW



SPECIFICATIONS:

CONSTRUCTION: 16 Gauge all welded cabinet, zinc coated steel, finished with 2 part chemical and oil resistant paint. Includes removable front access door, intake plenum with integral 3" sump and drain, and Ultra-Seal™ filter frame. Includes brackets for rod hanging of unit. Direct-drive, hi-pressure motor/blower. Motor starters/disconnects not included.

WEIGHT: 170 lbs.

AIRFLOW: 1200 CFM

ELECTRICAL:

- 1 HP 115/230/1/60, 14.0/7.0 amps, std.
- 1.5 HP 208-230/460/3/60/50, 4.2-4.8/2.4 amps, opt.

115V AC wired with cord and switch; others terminated at J-box on unit exterior. Direct-drive and high pressure motor/blower-std. and high pressure.

NOISE: 72 dBA STD.

FILTER SEAL: Ultra-Seal™ welded picture frame with positive sealing filter locking mechanism for all main filters, HEPA filter, and adsorber modules (where used).

FIRE SUPPRESSION: Equipment provided by others.

PREFILTERS:

- (1) 2" impingement, std.
- (1) 2" metal mesh, opt.
- (1) 4" Chevron® mist eliminator, opt.

MAIN FILTERS:

- (1) 2" metal mesh, std.
- (1) 12" main cartridge, 95%, std.
- (1) 6", 95% D.O.P. preceded by 6" cartridge, opt.
- (1) 12" internal HEPA, 99.97%, opt.
- (1) External HEPA, 99.97% (top discharge), opt.

AFTER FILTERS:

- (1) 2" charcoal, opt.

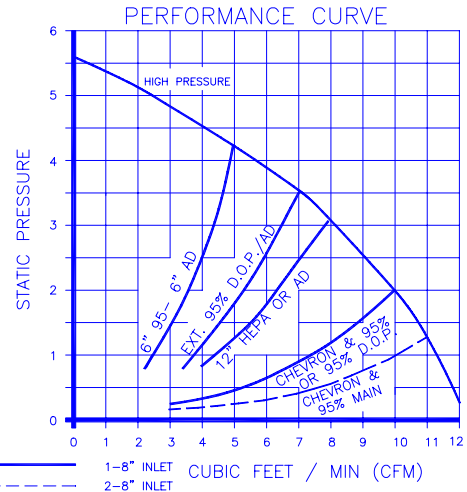
AD OPTION:

- (1) Internal 6"v-bank refillable adsorber module, 12 lb. capacity, preceded by 6" cartridge filter, 95%, w/2" pleat after filter.
- (1) External D.O.P. or AD (top discharge)

OTHER OPTIONS:

- Pressure gauge kit, indicates filter changes
- Positioner 5", 8"
- Silencer
- Stand Drain trap

* AFS FILTER EFFICIENCIES BASED ON ASHRAE 52-76 TEST METHOD



NOTES:

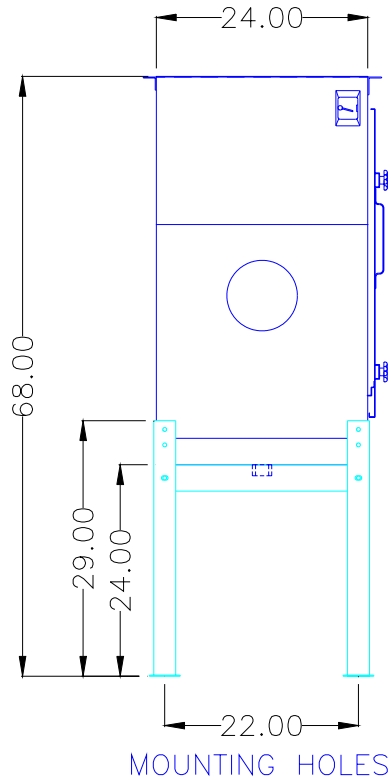
ITEMS DESIGNATED AS ARE INCLUDED IN THIS PROPOSAL.

THE DEVICE DEPICTED AND DESCRIBED HEREON EMBODIES PROPRIETARY INFORMATION OWNED BY AIRFLOW SYSTEMS, INC. ALL DESIGN, MANUFACTURING, REPRODUCTION, SALES, AND PATENT RIGHTS REGARDING THIS DEVICE OR DRAWING ARE RESERVED EXCEPT WHERE EXPLICIT RIGHT IS GRANTED IN WRITING.

Airflow SYSTEMS INC. 11370 Pagemill Road, Dallas, Tx 75243-8306 (214) 503-8008 Fax (214) 503-9596 E-MAIL:airflow@onramp.net

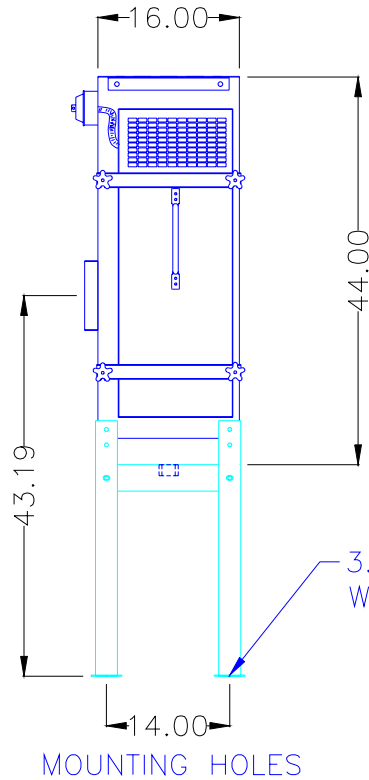
DRAWN BY JRS	TITLE MODEL 1200v.2 VOM
DATE 5-9-00	PAGE 1 OF 2
SCALE	DRAWING NO.: 1200v2SP (14-2658/L)

STAND OPTION



MOUNTING HOLES

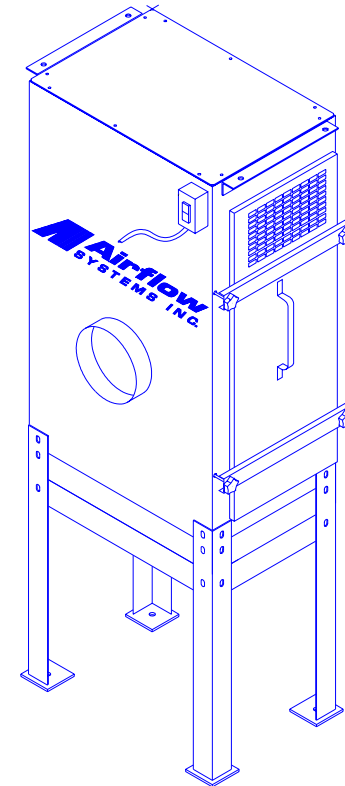
SIDE VIEW



MOUNTING HOLES

FRONT VIEW

3.50" SQ. FOOT PAD
W/.563" DIA. HOLE



NOTES:

THE DEVICE DEPICTED AND DESCRIBED HEREON EMBODIES PROPRIETARY INFORMATION OWNED BY AIRFLOW SYSTEMS, INC. ALL DESIGN, MANUFACTURING, REPRODUCTION, SALES, AND PATENT RIGHTS REGARDING THIS DEVICE OR DRAWING ARE RESERVED EXCEPT WHERE EXPLICIT RIGHT IS GRANTED IN WRITING.

Airflow
SYSTEMS INC. 11370 Pagemill Road
Dallas, Tx 75243-8306
(214) 503-8008
Fax (214) 503-9596
E-MAIL: airflow@onramp.net

DRAWN BY
JRS
DATE
5-9-00
SCALE

TITLE
MODEL 1200v.2 VOM
PAGE 2 OF 2

DRAWING NO.: 1200v2SP (14-2658/L)