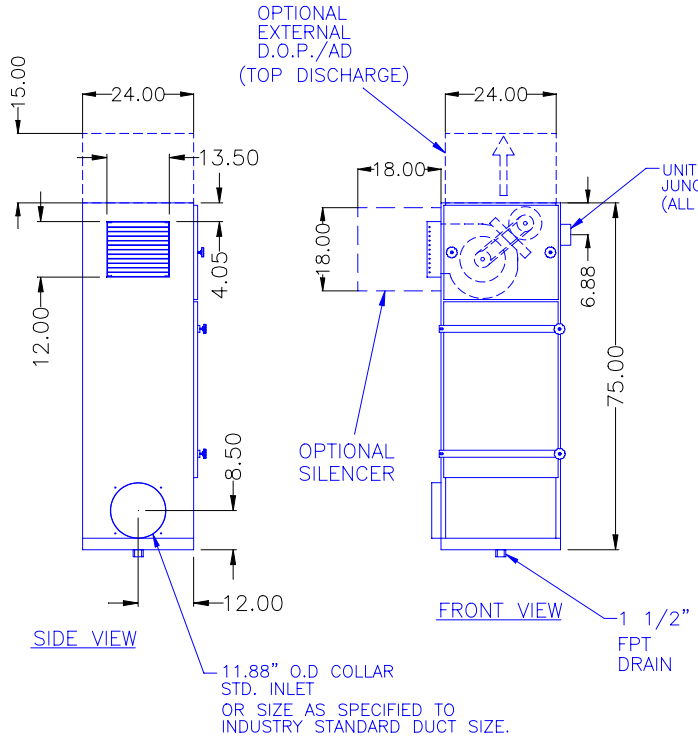


TOP VIEW



CONSTRUCTION:

16 Gauge all welded cabinet, zinc coated steel, finished with 2 part chemical and oil resistant paint. Hinged filter access door. Intake plenum with integral 3" sump and drain. Ultra-Seal™ filter frame. Includes brackets for wall mounting or rod hanging of unit. Belt driven, ball-bearing blower. Circuit and motor overload protection by others. 115v AC wired with power cord and switch; others terminated at J-box on unit exterior.

WEIGHT:

295 lbs.

AIRFLOW:

2400 CFM (2000 CFM with HEPA or AD)

ELECTRICAL:

- 1.5 HP 208-230/460/3/60, 5/2.5 amps, std.
- 1.5 HP 110/220/1/50, 16/8 amps, opt.
- HP-3 HP 208-230/460/3/60, 9.2-8.0/4.0 amps, opt.
- HP-3HP 115/230/1, 14.5 amps, opt.

NOISE:

75 dBA, 69 dBA w/ Silencer. (Std. HP)
79 dBA 3HP, 75 dBA 3HP w/ Silencer

FILTER SEAL:

Ultra-Seal™ positive sealing filter locking mechanism for all main filters, HEPA filter, and adsorber modules (when used). Slide in tracks shall be used for prefilters only.

FIRE SUPPRESSION:

Equipment provided by others.

SPECIFICATIONS:

PREFILTERS:

- (1) 2" aluminum mesh, std.
- (1) 2" impingement, std.
- (1) 4" Chevron, 2" mesh, opt.

MAIN FILTERS:

- (1) 95% bag filter, 88 ft² std.
- (1) 12", 95% D.O.P. preceded by 95% 14" bag filter, opt.
- (1) 12", 99.97% HEPA preceded by 95% 14" bag filter, opt.

AFTER FILTERS:

- (1) 2" mesh, std.

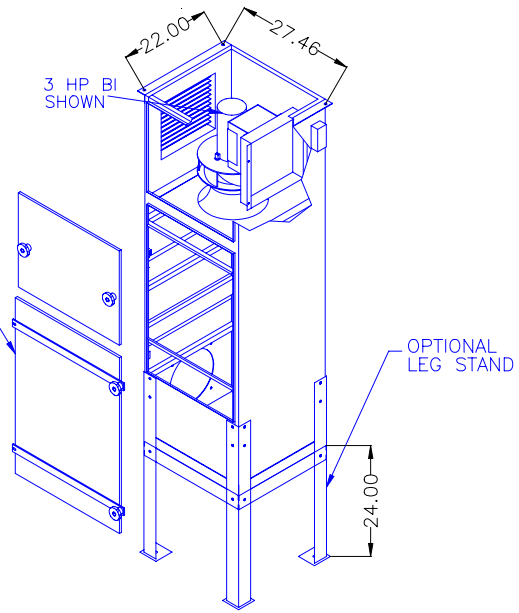
AD OPTION:

- (2) 12" v-bank refillable adsorber module, 25 lb. capacity ea., preceded by 14" filter, 95%.

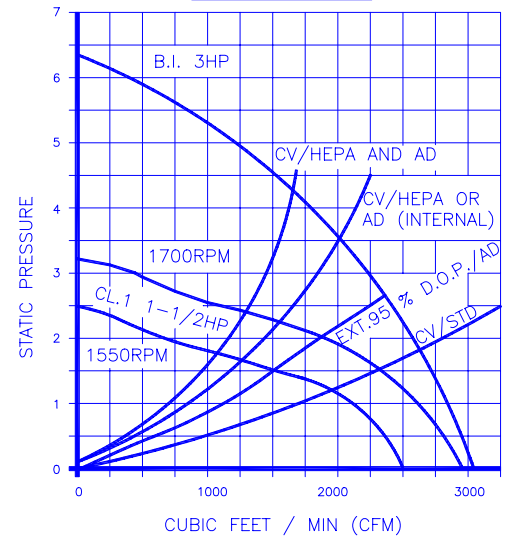
OTHER OPTIONS:

- Pressure gauge kit indicates filter changes
- Stainless steel construction
- 24" Leg Stand
- External D.O.P. or AD (top discharge)
- Drain trap

* AFS FILTER EFFICIENCIES BASED ON ASHRAE 52-76 TEST METHOD ALL FLOWS STANDARD AIR AND FILTERS UNLESS OTHERWISE INDICATED.



PERFORMANCE CURVES
2400 B.I. vs CL.1



NOTES:

Items designated as are included in this proposal.

THE DEVICE DEPICTED AND DESCRIBED HEREON EMBODIES PROPRIETARY INFORMATION OWNED BY AIRFLOW SYSTEMS, INC. ALL DESIGN, MANUFACTURING, REPRODUCTION, SALES, AND PATENT RIGHTS REGARDING THIS DEVICE OR DRAWING ARE RESERVED EXCEPT WHERE EXPLICIT RIGHT IS GRANTED IN WRITING.

Airflow SYSTEMS INC. 11370 Pagemill Road
Dallas, TX 75243-8306
(214) 503-8008
Fax (214) 503-9596
E-MAIL: airflow@onramp.net

DRAWN BY CB	TITLE MODEL 2400VOM
DATE 2-26-99	
SCALE NTS	DRAWING NO.: 2400SPEC (96-2040/H)